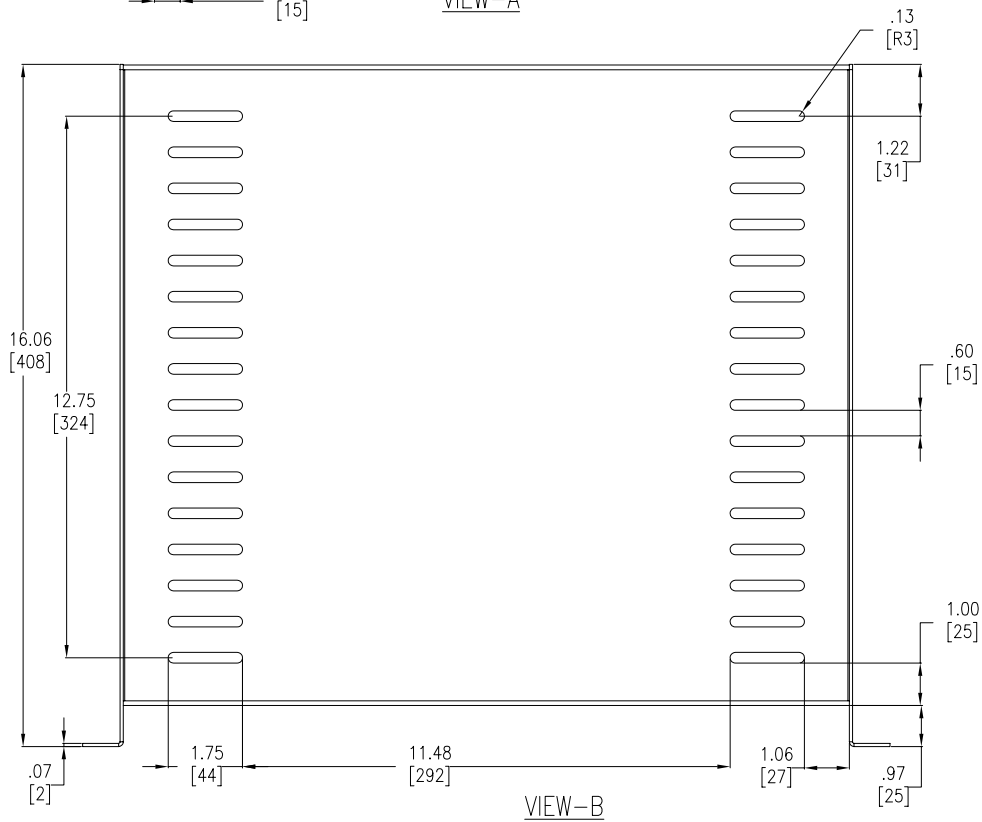
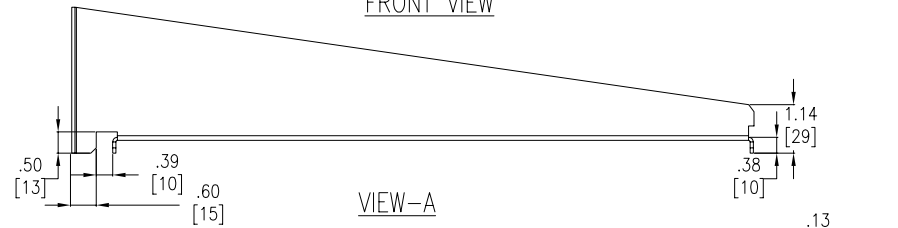
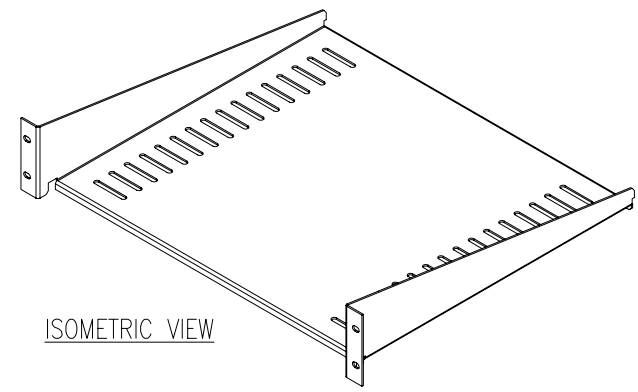
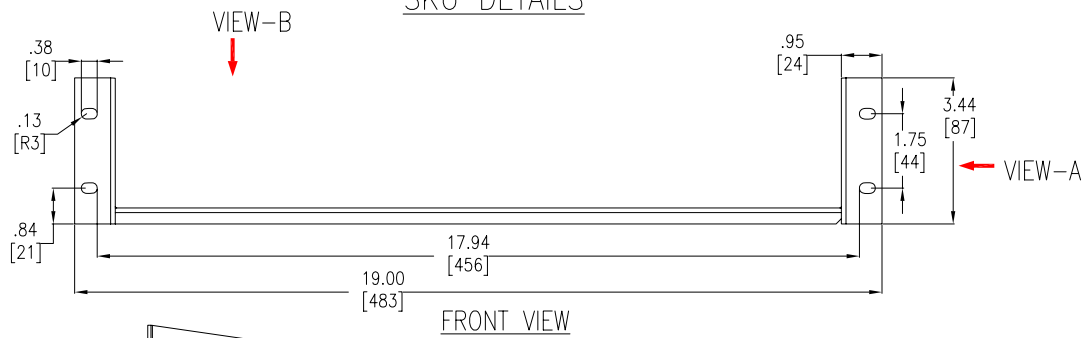
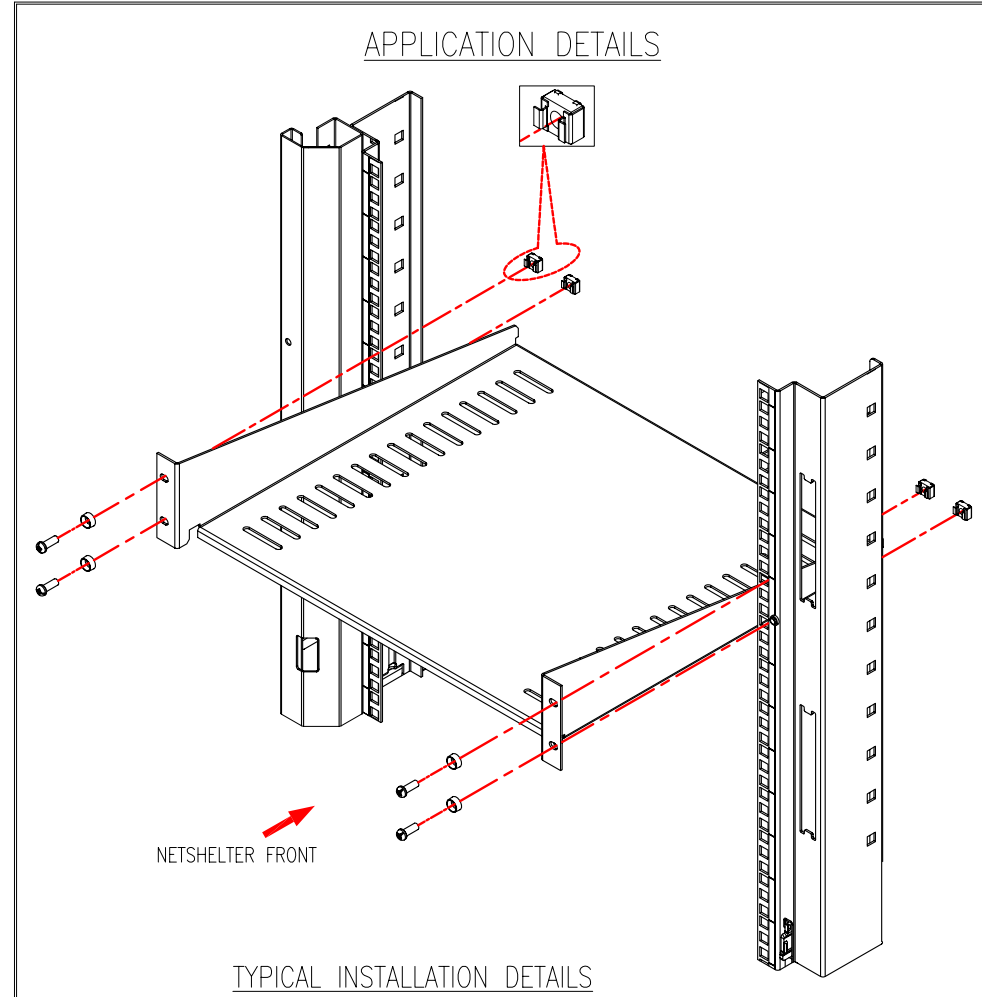


SKU DETAILS



APPLICATION DETAILS



NOTES:

1. INSTALLATION MUST COMPLY WITH ALL APPLICABLE NATIONAL AND LOCAL CODES.
2. PLEASE REFER TO APC PRODUCT MANUAL FOR DETAILS.
3. ALL DIMENSIONS ARE IN INCHES [MILLIMETERS].
4. EACH SKU OF AR8105BLK INCLUDES
(4)M6 SCREWS, (4)M6 CUP WASHERS & (4)CAGED NUTS.
5. WEIGHT OF ONE UNIT IS 5 LBS [2.27 kg].

THIS DRAWING AND SPECIFICATIONS HEREIN ARE THE PROPERTY OF AMERICAN POWER CONVERSION AND SHALL NOT BE COPIED, REPRODUCED OR USED IN WHOLE OR IN PART, AS THE BASIS FOR THE MANUFACTURE OR SALE OF ITEMS WITHOUT WRITTEN PERMISSION FROM APC. THIS DRAWING IS BASED UPON LATEST AVAILABLE INFORMATION AND IS SUBJECT TO CHANGE WITHOUT NOTICE.



TITLE:
FIXED SHELF 50LBS (22.7kg) BLACK

PROJECT: SUBMITTAL DRAWINGS SHEET 1 OF 1

DWG NO: AR8105BLK

DRAWN: BALAMURUGAN	08-FEB-08
ENGINEER: M.UHRHAN/B.OLIVER	08-FEB-08
APPROVED: B.SHERIDAN/E.SLIVA/C.LARSEN/S.WACH	08-FEB-08

REV: 0
ANGLE PROJECTION
N.A