

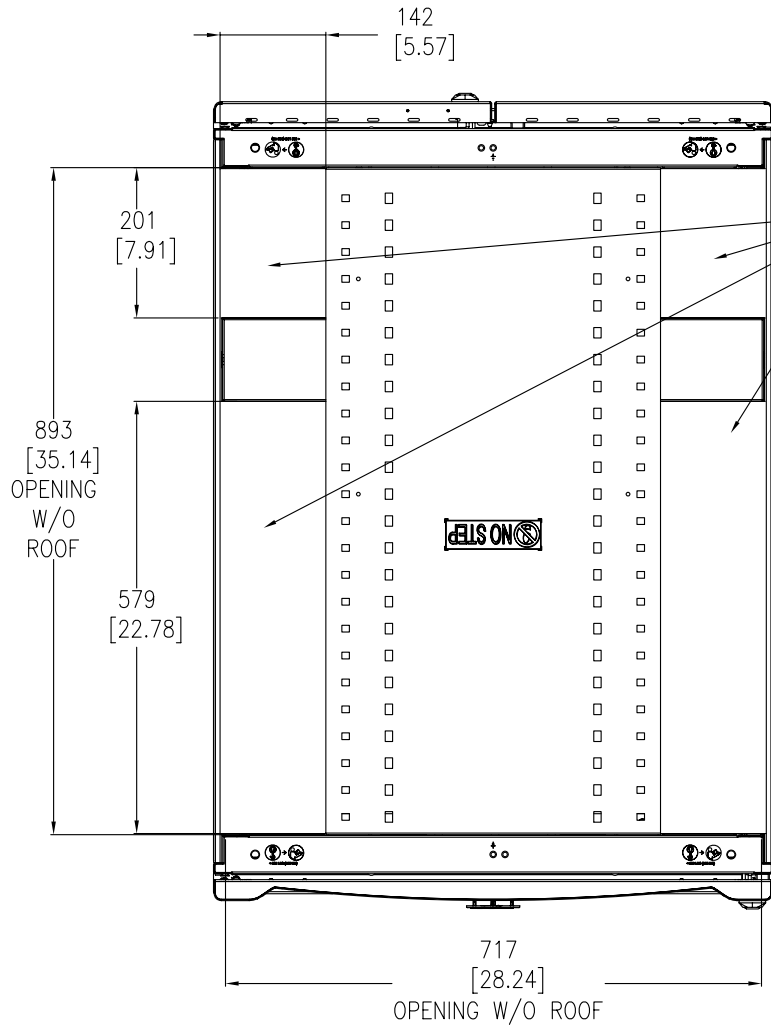
NOTES:

1. INSTALLATION MUST COMPLY WITH NATIONAL AND LOCAL ELECTRICAL REGULATIONS.
2. PLEASE REFER TO THE PRODUCT MANUALS FOR DETAILED INFORMATION.
3. ALL DIMENSIONS ARE IN MILLIMETERS [INCHES].
4. NET WEIGHT OF UNIT IS 156.0 Kg [343 LBS].
5. CABLE ENTRY IS TOP OR BOTTOM OF UNIT.
6. FRONT AND REAR SERVICE ACCESS REQUIRED.
7. AIR FLOW AND SERVICE REQUIREMENTS, AS WELL AS MINIMUM CLEARANCE TO FIRE SUPPRESSION SYSTEMS SHOULD BE CONSIDERED WHEN LOCATING THE ENCLOSURE.

THIS DRAWING AND SPECIFICATIONS HEREIN ARE THE PROPERTY OF SCHNEIDER ELECTRIC AND SHALL NOT BE COPIED, REPRODUCED OR USED IN WHOLE OR IN PART, AS THE BASIS FOR THE MANUFACTURE OR SALE OF ITEMS WITHOUT WRITTEN PERMISSION FROM SCHNEIDER ELECTRIC. THIS DRAWING IS BASED UPON LATEST AVAILABLE INFORMATION AND IS SUBJECT TO CHANGE WITHOUT NOTICE.

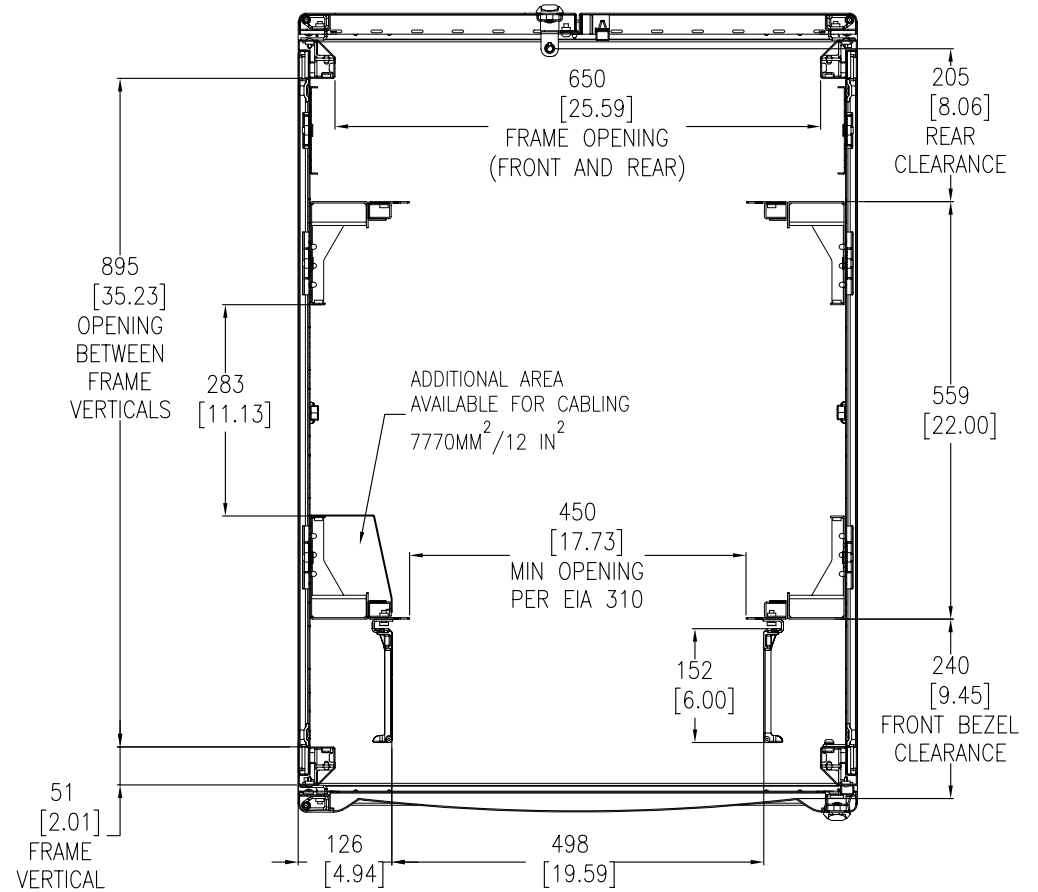
Schneider Electric

TITLE:	NetShelter SX 42U NETWORKING ENCLOSURE WITH SIDES 750mm WIDE x 1070mm DEEP MAIN MECHANICAL	DWG NO:	AR3140	REV:	0
PROJECT:	SUBMITTAL DRAWINGS	SHEET:	1 OF 3	APPROVED BY:	B. SETHI / P. DIXY / C. WAGY / C. DIXY
ENGINEER:	K. THOMAS / J. KUMMER	DATE:	16-DEC-09	ANGLE:	FIRST
DESIGNER:	C. KRISHNA	DATE:	16-DEC-09	PROJECTION:	ANGLE



BRUSH STRIP
4 OPENINGS

TOP VIEW
CABLE OPENINGS
(COVERS REMOVED)



SECTION B-B
(VIEW FROM INSIDE CABINET
LOOKING DOWN)

NOTES:

1. INSTALLATION MUST COMPLY WITH NATIONAL AND LOCAL ELECTRICAL REGULATIONS.
2. ALL DIMENSIONS ARE MILLIMETERS [INCHES].

THIS DRAWING AND SPECIFICATIONS HEREIN ARE THE PROPERTY OF SCHNEIDER ELECTRIC AND SHALL NOT BE COPIED, REPRODUCED OR USED IN WHOLE OR IN PART, AS THE BASIS FOR THE MANUFACTURE OR SALE OF ITEMS WITHOUT WRITTEN PERMISSION FROM SCHNEIDER ELECTRIC. THIS DRAWING IS BASED UPON LATEST AVAILABLE INFORMATION AND IS SUBJECT TO CHANGE WITHOUT NOTICE.

Schneider Electric

TITLE: NetShelter SX 42U NETWORKING ENCLOSURE WITH SIDES 750mm WIDE x 1070mm DEEP TOP VIEWS

DWG NO: AR3140

REV: 0

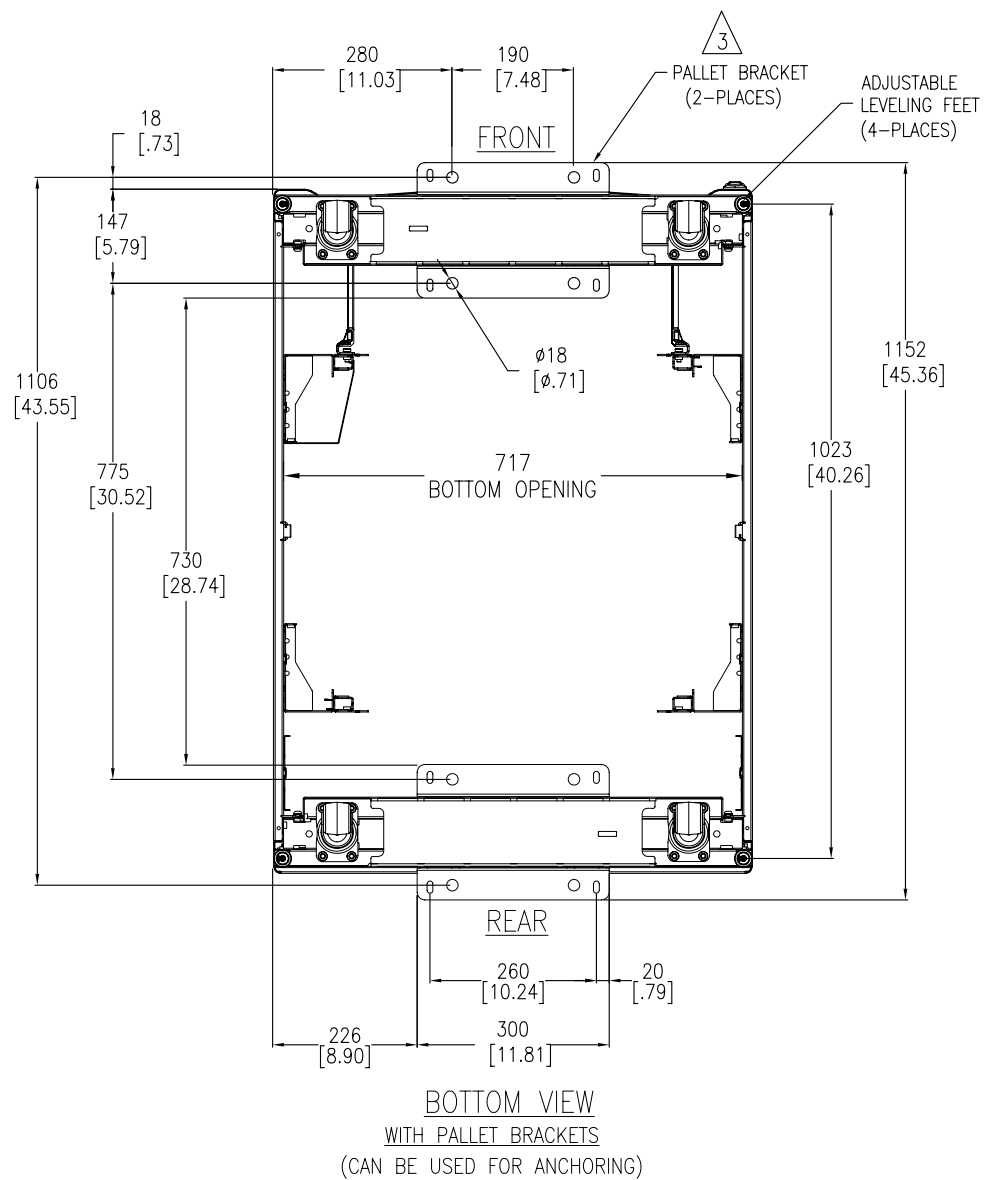
DRAWN BY: C KRISHNA 16-DEC-09

FIRST ANGLE PROJECTION

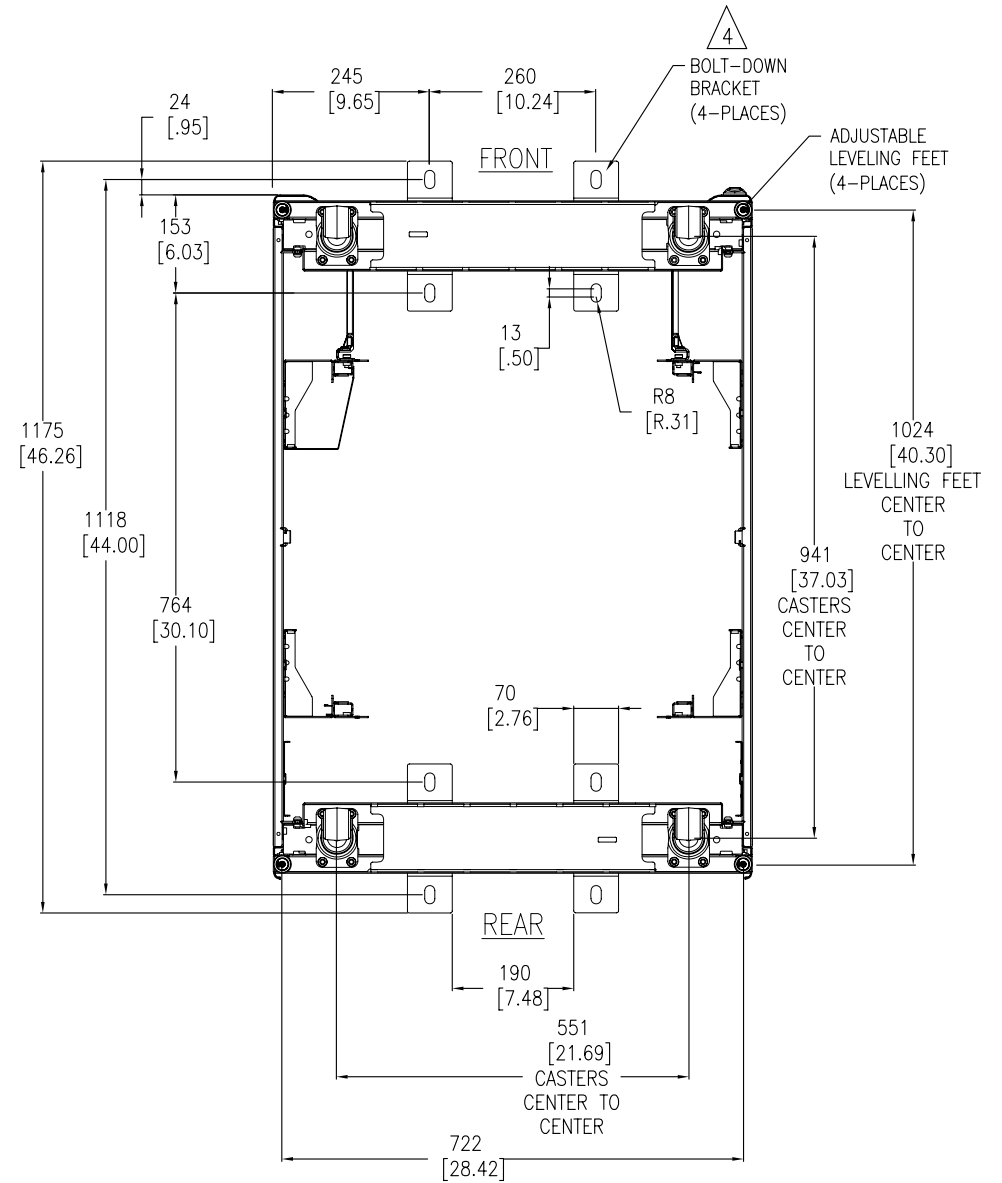
ENGINEER: K THOMAS/J.KUMMER 16-DEC-09

PROJECT: SUBMITTAL DRAWINGS SHEET 2 OF 3

APPROVED BY: B. SERRAVALLO / C. LANGE / G. BOK 16-DEC-09



BOTTOM VIEW
WITH PALLET BRACKETS
(CAN BE USED FOR ANCHORING)



BOTTOM VIEW
(WITH OPTIONAL BOLT-DOWN BRACKETS
FOR ANCHORING)

NOTES:

1. INSTALLATION MUST COMPLY WITH NATIONAL AND LOCAL ELECTRICAL REGULATIONS.
2. ALL DIMENSIONS ARE MILLIMETERS [INCHES].
- △3. ANCHORING CAN BE INSTALLED EITHER INSIDE OR OUTSIDE THE NetShelter WITH ONE AT FRONT AND ONE IN BACK.
- △4. BOLT-DOWN KIT (SKU# AR7701) IS OPTIONAL AND HAS TO BE ORDERED SEPARATELY.

THIS DRAWING AND SPECIFICATIONS HEREIN ARE THE PROPERTY OF SCHNEIDER ELECTRIC AND SHALL NOT BE COPIED, REPRODUCED OR USED IN WHOLE OR IN PART, AS THE BASIS FOR THE MANUFACTURE OR SALE OF ITEMS WITHOUT WRITTEN PERMISSION FROM SCHNEIDER ELECTRIC. THIS DRAWING IS BASED UPON LATEST AVAILABLE INFORMATION AND IS SUBJECT TO CHANGE WITHOUT NOTICE.



TITLE: NetShelter SX 42U NETWORKING ENCLOSURE WITH SIDES 750mm WIDE x 1070mm DEEP BOTTOM VIEWS

PROJECT: SUBMITTAL DRAWINGS SHEET 2 OF 3

DWG NO: AR3140

DRAWN BY: C KRISHNA 16-DEC-09

ENGINEER: K THOMAS/J.KUMMER 16-DEC-09

APPROVED BY: B. SHANKAR/DESAI/C. LAKSHY/CHINN 16-DEC-09

REV: 0

FIRST ANGLE PROJECTION

ANGLE

PROJECTION